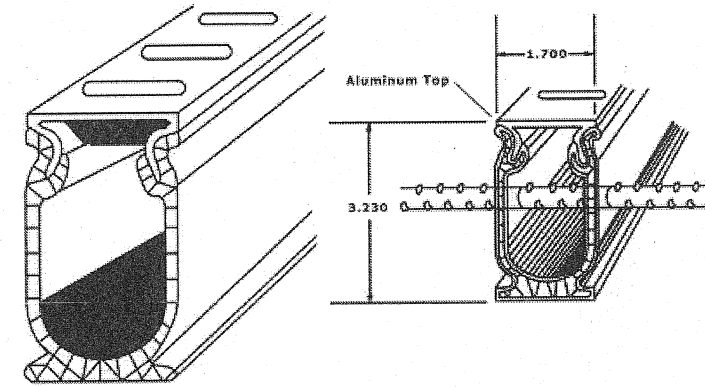


Advantage Commercial Drain (part# ACD-ALD-C)

Advantage Commercial Drain is a removable top drain that features an aluminum top. This product also features a double wall base and a snap in top. When installing this drain the tops are staggered past the channel joints making the joints very rigid. The aluminum tops are removable for easy access for cleaning and replacement. Advantage Commercial Drain is to be specified around commercial swimming pools and thresholds to prevent wind blown rain from getting under entry doors.



Installation:

It is suggested that the aluminum top be installed through and over the channel joints to strengthen and align the drain system. It is also important to drill a 3/8" hole through the channel and insert a 8" piece of #3 rebar through the hole to anchor the Advantage Commercial Drain in place. Advantage commercial Drain (916) 381-9188